

- NOTES**
1. DRAWING IS FOR INDICATIVE PURPOSES ONLY.
 2. ALL SECTIONS ARE INDICATIVE.
 3. TUNNEL TO BE USED FOR DELIVERY OF ABNORMAL INDIVISIBLE LOADS (AIL) DURING CONSTRUCTION. POST DELIVERY, TUNNEL TO BE ADAPTED INTO OPERATIONAL POWER / CABLE TUNNEL.
 3. TUNNEL LINING THICKNESS IS SUBJECT TO ROCK SUPPORT DESIGN AT THE NEXT DESIGN PHASE. MINIMUM THICKNESS OF 400mm IS SHOWN INDICATIVELY.
 4. UPPER HEADPOUND SHOWN FOR REFERENCE.
 5. HVAC SYSTEM AND TRANSFORMER DELIVERY VEHICLE SHOWN INDICATIVELY. TO BE CONFIRMED AT DETAILED DESIGN STAGE.
 6. CABLING ARRANGEMENT AND SUPPORT SYSTEM ARE SHOWN INDICATIVELY AND SHALL BE FINALISED AT DETAILED DESIGN STAGE.
 7. REFER TO FIGURE 2.13 - ACCESS AND CONSTRUCTION TUNNEL SECTION

APPROVED FOR ISSUE

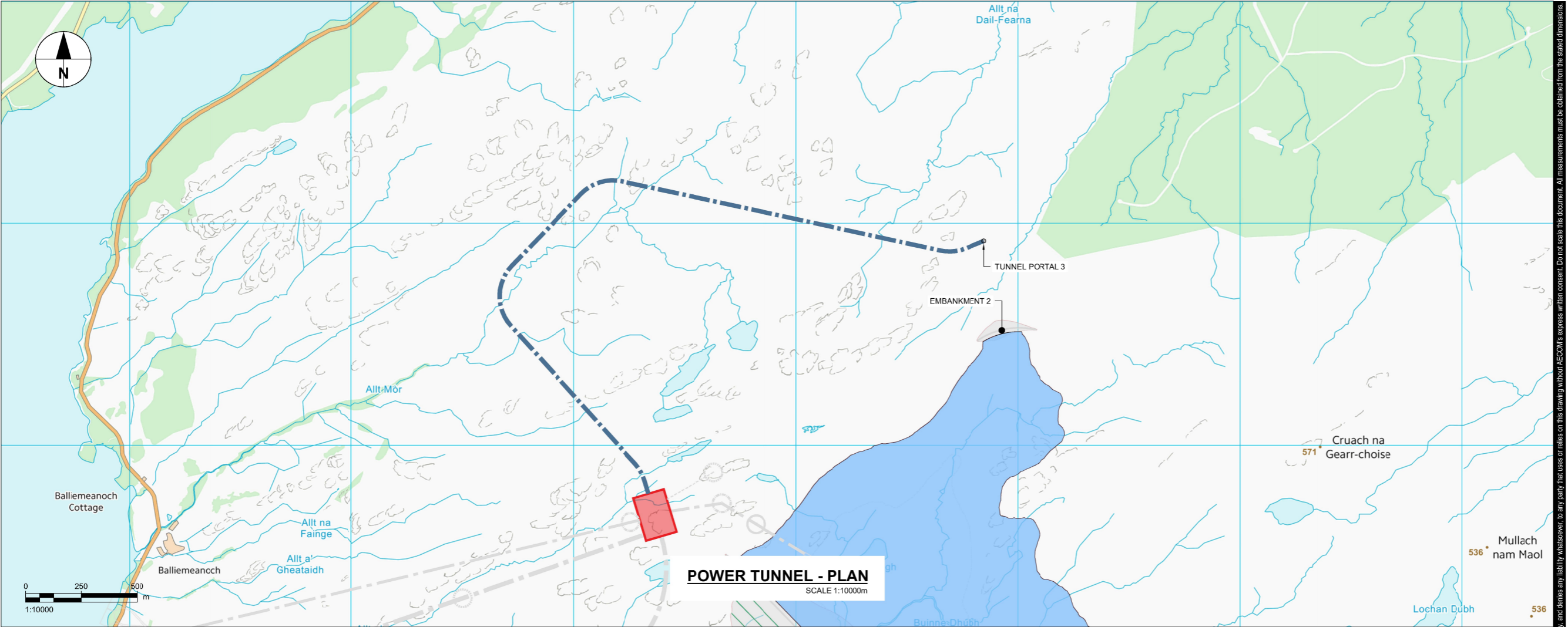
A	HY	TP
I/R	DRAWN BY	CHECKED
		APPROVED

ISSUE/REVISION

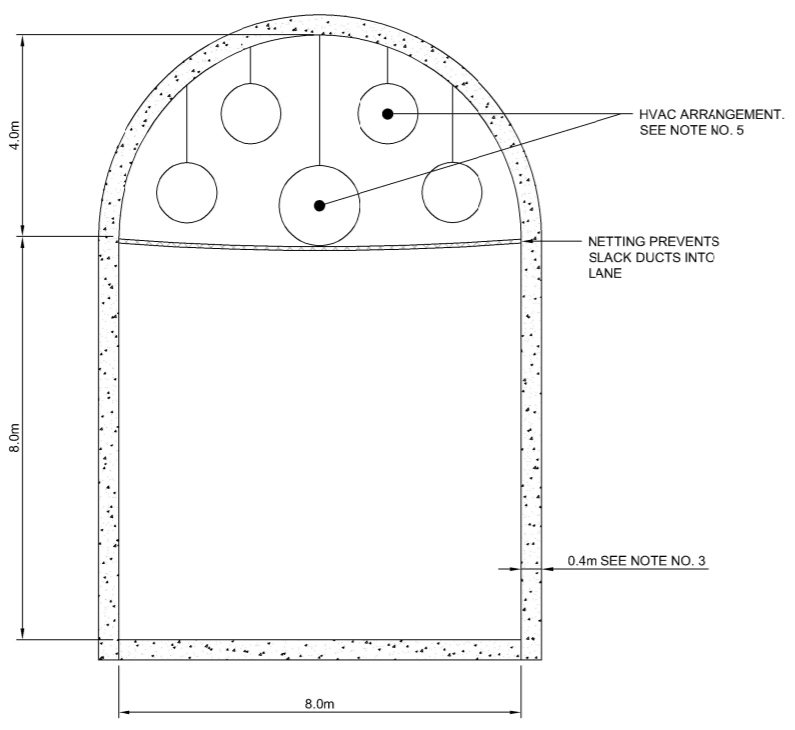
A	JULY 2024	FINAL
I/R	DATE	DESCRIPTION

SHEET TITLE
 POWER TUNNEL SECTION

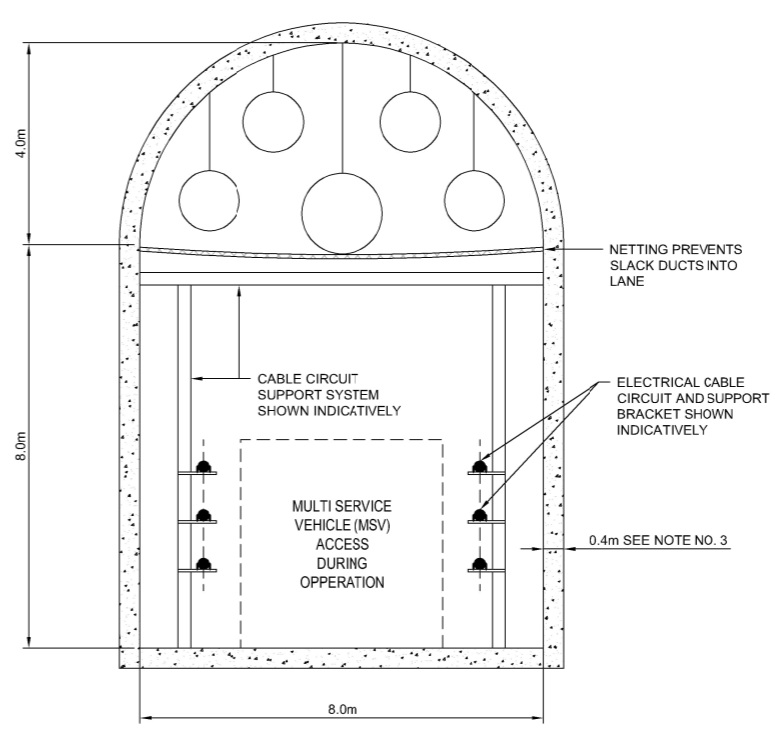
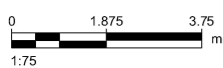
FIGURE NUMBER
 FIGURE 2.14



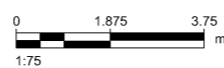
POWER TUNNEL - PLAN
 SCALE 1:10000m



POWER TUNNEL - DURING CONSTRUCTION
 SCALE 1:75m



POWER TUNNEL - DURING OPERATION AND MAINTENANCE
 SCALE 1:75m



FOR INFORMATION ONLY NOT FOR CONSTRUCTION

Project Management Initials: Designer: HY Checked: TP Approved: DL

Last saved by: AARON.CLEGHORN(2024-07-04) AutoCAD Version: 24.1S (LMS TECH) Filename: C:\P\WORKING\AECOM_DS009_UK_2020\0485521\FIGURE 2.14 POWER TUNNEL SECTION.DWG

This drawing has been prepared for the use of AECOM's client. It may not be used, modified, reproduced or relied upon by third parties, except as agreed by AECOM or as required by law. AECOM accepts no responsibility, and denies any liability, whatsoever, to any party that uses or relies on this drawing without AECOM's express written consent. Do not scale this document. All measurements must be obtained from the stated dimensions.